

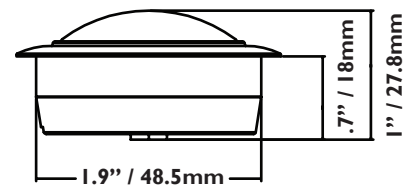
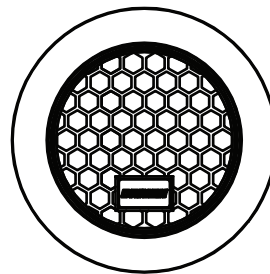
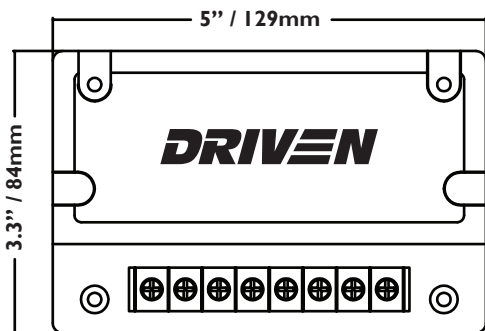
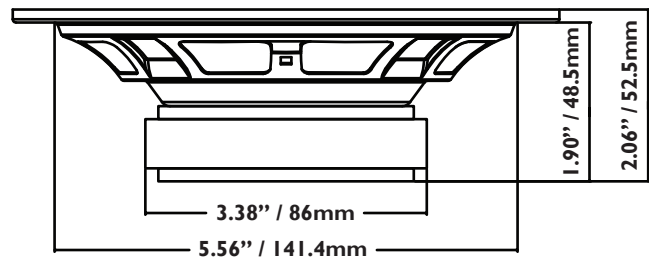
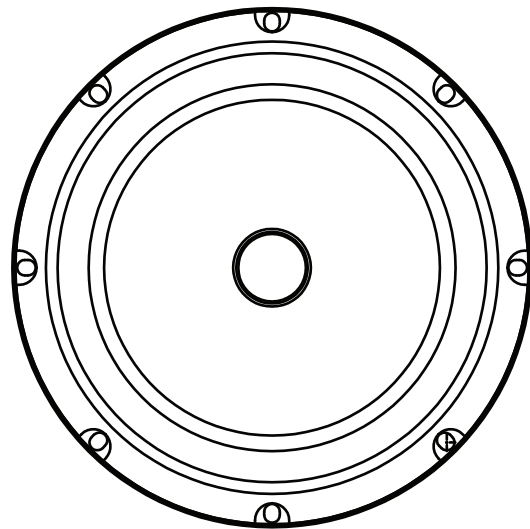


DRS65C

6.5" High Performance
Component Set

CARACTERISTICAS

- Nominal 90 Watts
- Dinámico de 360 Watts
- Bobina de 1" KSV
- Cono de Fibra de Vidrio
- Amortiguador de Goma
- Magneto de Oxido Ferroso
- Canasta de Acero Estampado
- 2 - 28mm Silk Dome Tweeter
- 2 - 12dB per Octave Crossover
- Parrilla Incluida
- Frecuencia de Trabajo: 39Hz – 20KHz
- Sensibilidad: 91dB



Driven is a Registered Trademark of DB Research L.L.P. | Designed and Engineered in the U.S.A.

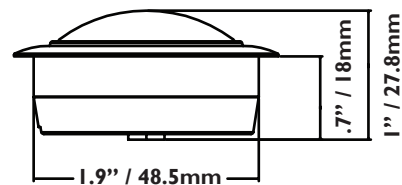
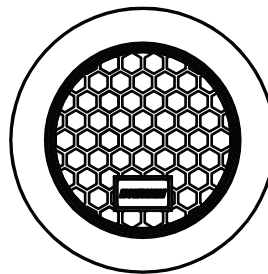
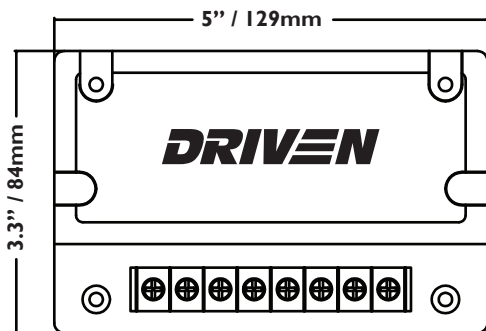
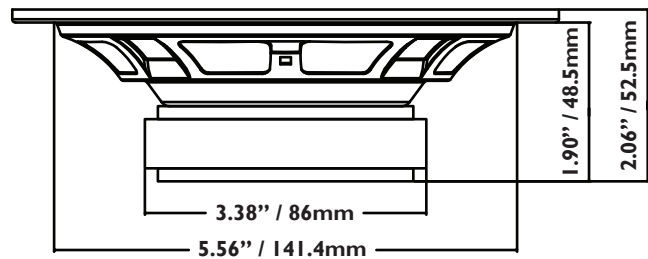
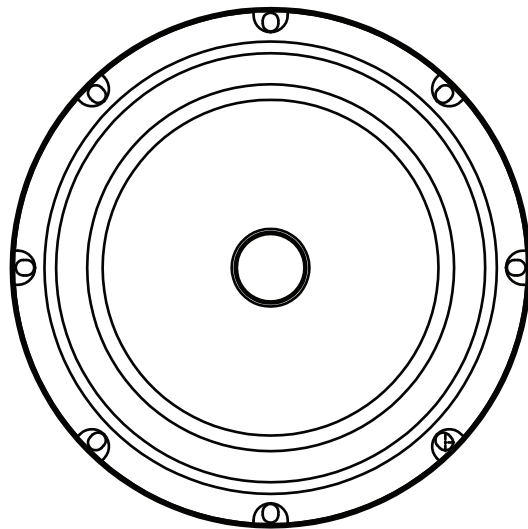


DRS65C

6.5" High Performance
Component Set

FEATURES

- Nominal 90 Watts
- Dynamic 360 Watts
- 1" KSV Voice Coil
- Glass Fiber Cone
- Rubber Surround
- Ferric Oxide Magnet
- Stamped Steel Basket
- 2 - Silk Dome Tweeter
- 2 - 12dB per Octave Crossover
- Grill included
- Frequency Response: 39Hz – 20KHz
- Sensitivity: 91dB



Driven is a Registered Trademark of DB Research L.L.P. | Designed and Engineered in the U.S.A.