

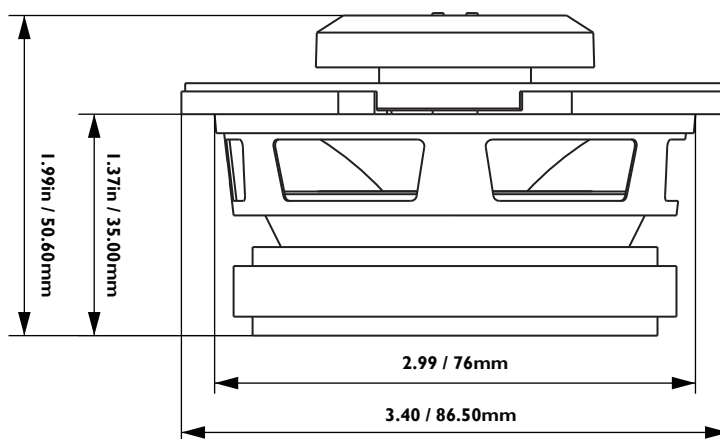
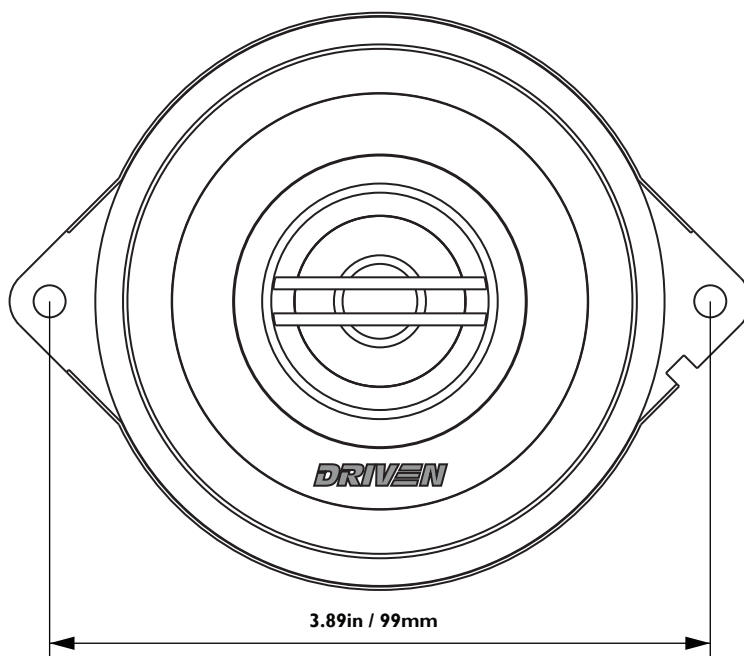


# DRS352

## 3.5" High Performance Coaxial

### CARACTERISTICAS

- Nominal 35 Watts
- Dinámico de 110 Watts
- 25mm Tweeter con Domo de Seda
- Bobina de 1" KSV
- Cono de Papel
- Borde de Tela
- Magneto de Oxido Ferroso
- Canasta de Acero Estampado
- Parrilla Incluida



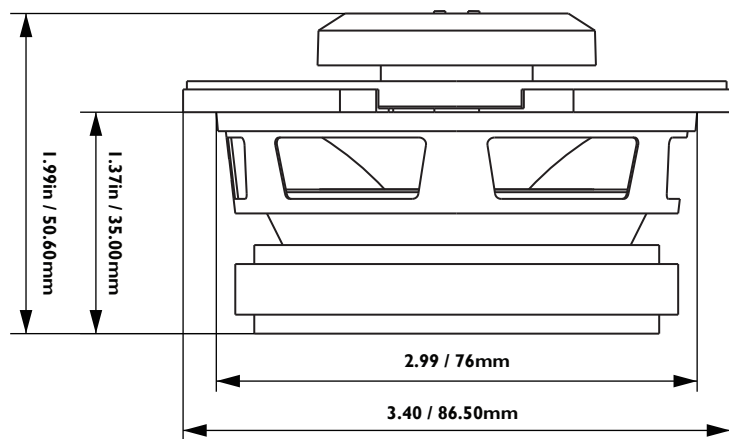
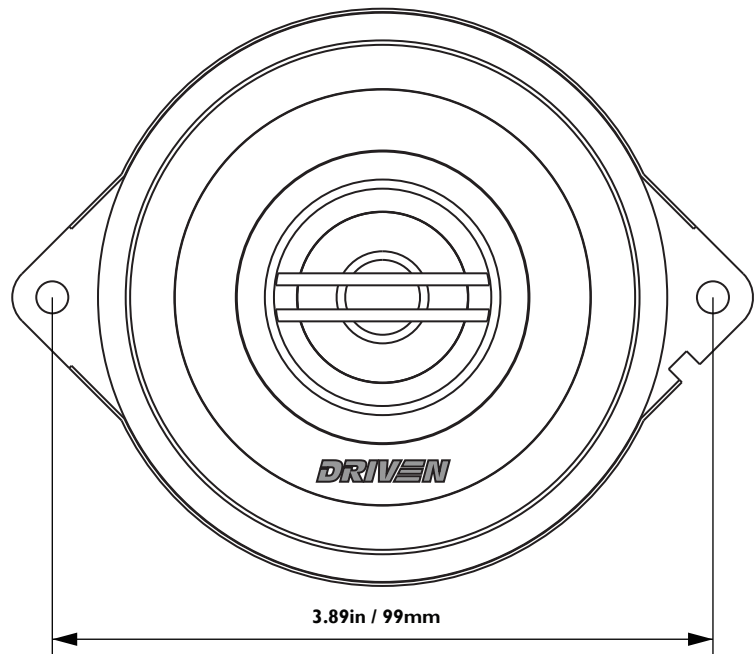


# DRS352

## 3.5" High Performance Coaxial

### FEATURES

- Nominal 35 watts
- Dynamic 110 watts
- 25mm Silk Dome Tweeter
- 1" KSV Voice Coil
- Paper Cone
- Cloth Surround
- Ferric Oxide Magnet
- Stamped Steel Basket



Driven is a Registered Trademark of DB Research L.L.P. | Designed and Engineered in the U.S.A.