

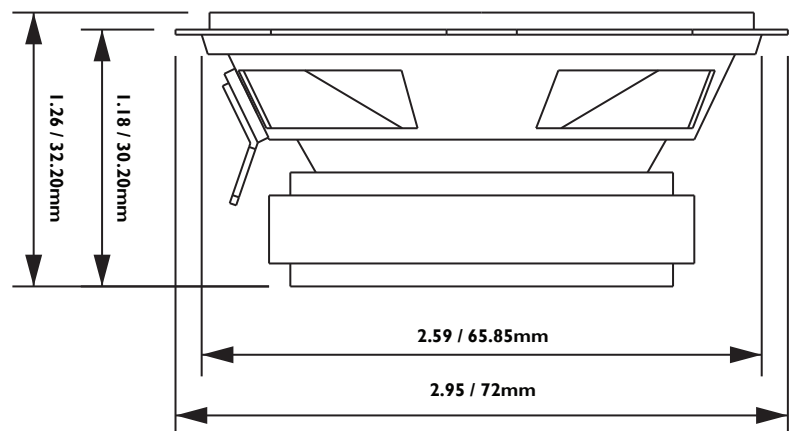
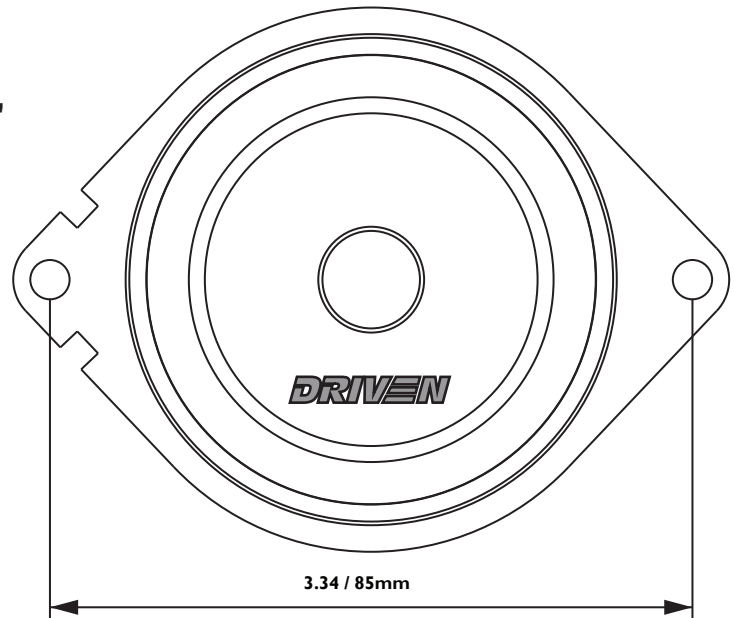


DRS2.5MR

2.5" High Performance Mid-Range

CARACTERÍSTICAS

- Parlante de Medio Rango en 2.5"
- Watts Nominal: 25W
- Poder Dinámico de 75 Watts
- Bobina de Voz de KSV en 0.5"
- Cono de Papel
- Borde de Tela
- Magneto de Oxido Ferroso
- Canasta de Acero Estampado
- Impedancia: 4Ω



Driven is a Registered Trademark of DB Research L.L.P. | Designed and Engineered in the U.S.A.

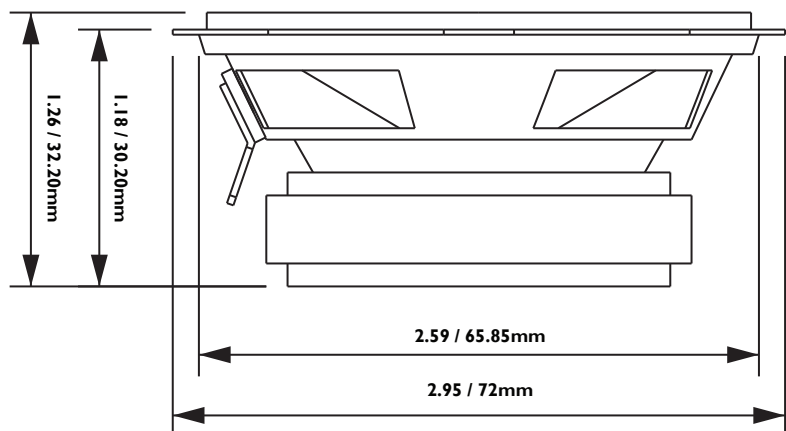
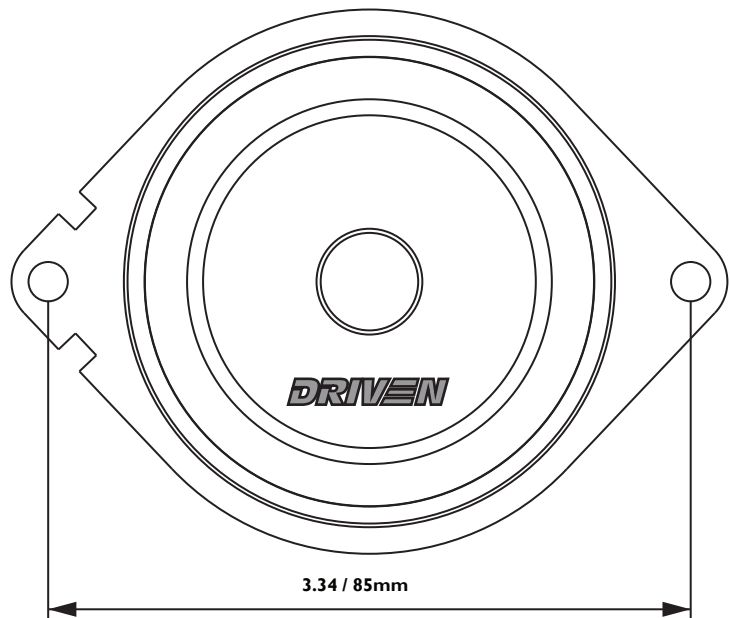


DRS2.5MR

2.5" High Performance Mid-Range

FEATURES

- 2.5" Mid-range Speaker
- Nominal Watts - 25 Watts
- Dynamic Watts - 75 watts
- 0.5" KSV Voice Coil
- Paper cone
- Cloth surround
- Ferric Oxide Magnet
- Stamped Steel Basket
- Impedance: 4 Ω



Driven is a Registered Trademark of DB Research L.L.P. | Designed and Engineered in the U.S.A.